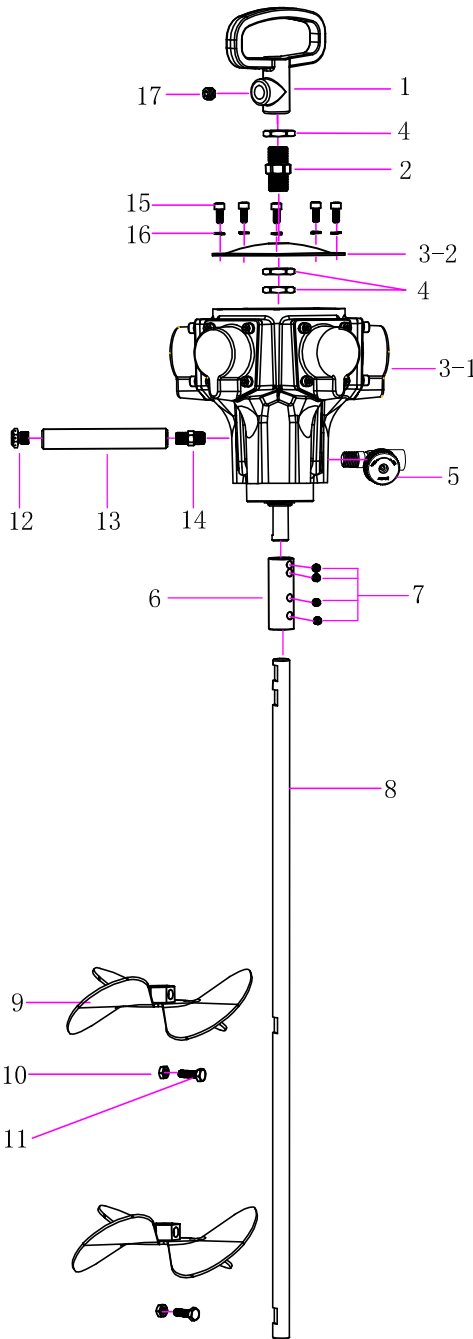


RB-MA2 Portable type agitator operating instruction (Version2105-01)

1、 Operation parameter:

Horsepower	Stir Capacity(L)	Axis Dimension(mm)	Carton Size(mm)	Air Pressure(Mpa)/(Psi)	Weiht(kg)
2/5HP	200	∅15*830	180*180*1140	0.7/101.5	7

7、 Parts list:



2、 Installation:

- Will handle set on screwing in air motor upper body tighten; Adjust the side handle and the handle into a 90-120° Angle on the screw holes tight; Install agitating blade tight.
- With the air motor, air joint and a side handle, air joint 1(3-1#, 14#, 13#, 12#) according to the order picking it up.
- Connect volume damper(5#) with connector and air hose.
- Check air motor if fastened by screw(15#).
- Check agitating rod if fastened by screw(7#).
- Check blade if fastened by nut and screw(11#, 10#).
- Check handle if locked by plug screw(17#).

3、 Use operation:

- Firstly, make sure air regulator (5#) closed.
- Open air source, adjust Air motor(4#) slowly, make air motor rotate, adjust speed based on your need.

4、 Notice:

- Make sure all screws are fastened, agitator doesn't shake.
- Firstly, adjust air motor(4#) slowly to make air motor move, then accelerating at first, agitating rod may shake heavily and cause danger.
- Don't touch blade and agitating rod in order to be hurt.
- Don't move agitator casually when it works, otherwise, agitating rod waggles and cause danger.
- Don't over use agitator, otherwise, air motor may be destroyed.
- Below maximum appointing air pressure, otherwise, destroy air motor and agitating rod then cause danger.

5、 Daily maintenance:

- Please clean agitating rod and blade after using.
- Add lubricant to the internal of air motor and bearing regularly.
- Inspect blade loss situation regularly, if damage, please replace with authentic Prona blade.

6、 Spare part name:

No.	Description	Q' ty
1	Handle	1
2	Joint	1
3-1	M40 Air motor (Do not contain air motor cap)	1
3-2	Air motor cap (RB-MA2 Exclusive use)	1
4	Fixing nut	3
5	Air regularator	1
6	Connector	1
7	M8X6 Connector fixing screw	4
8	Agitating rod	1
9	Stainless steel blade	2
10	M8 Blade lock nut	2
11	Blade lock screw M8*20	2
12	With silencer	1
13	The side handle	1
14	Air connector	1
15	M5X12 Inner six angle round head screw	5
16	M5 Spring gasket	5
17	3/8PT plug screw	1