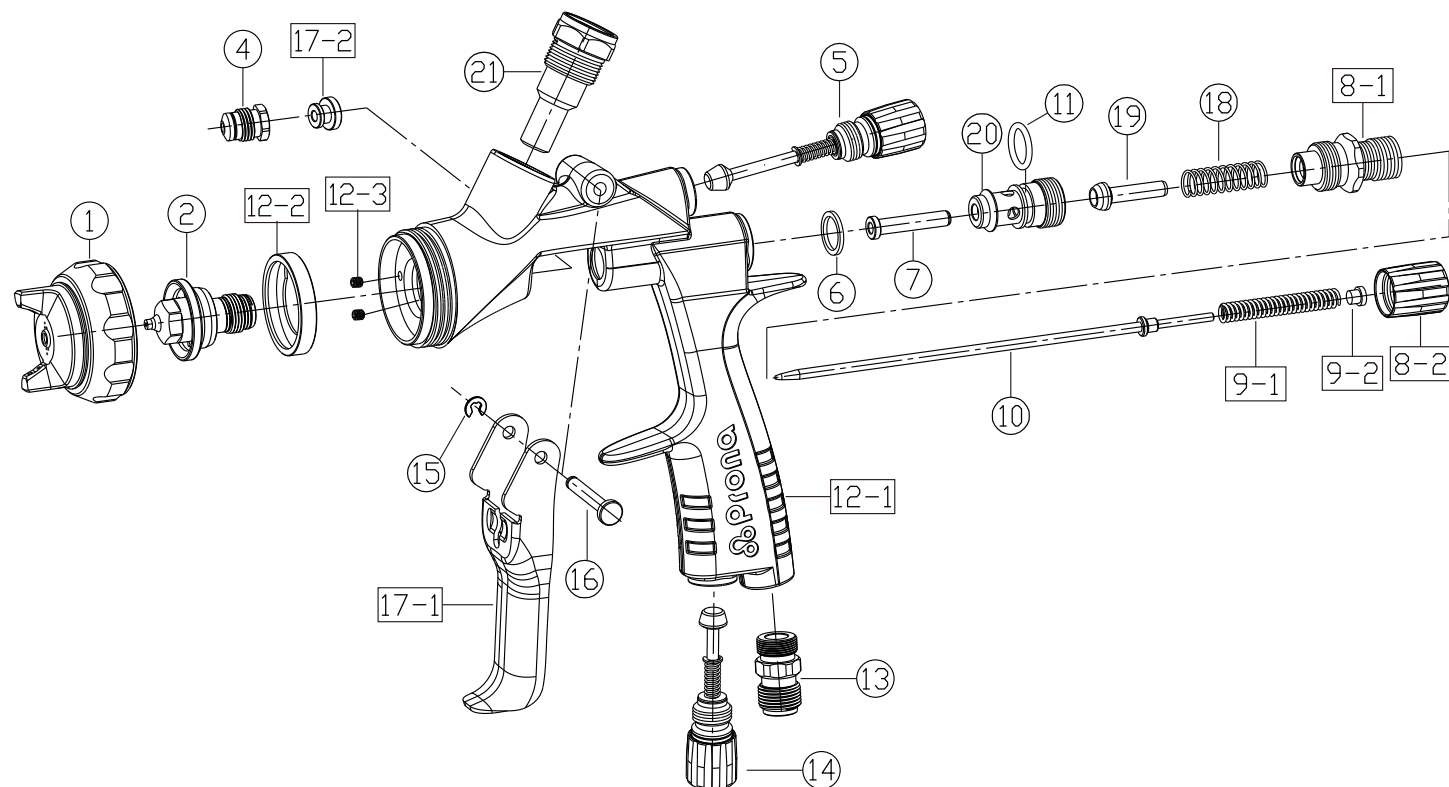


零件分解圖



寶麗噴槍是由精密的電腦機器，高水準的專業技術與經驗，以及高檔次的材料所製成的。本噴槍在出廠前，已依嚴格的品管標準檢驗通過，它能將塗料加以細膩且均勻地霧化，讓您的塗裝順暢又美麗。

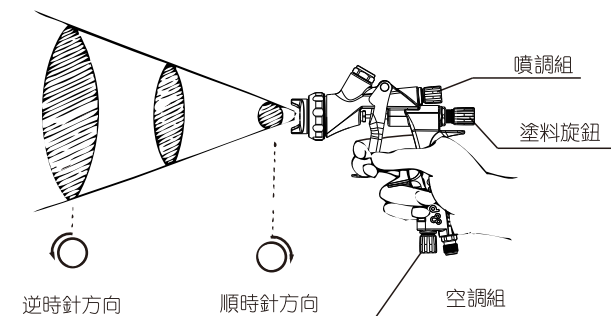
操作

1. 使用前請先將漆壺、噴槍及空氣軟管緊密地連接好。
2. 請依照塗料粘度及特性，調整所需要的空氣壓力。適當的空氣壓力為 1.8-2.5 公斤/平方公分。
3. 當您噴塗時，請將噴槍與被塗裝物件間保持適當的距離。建議保持 15-20 公分的距離。

調整

當您想取得期望的噴形、塗料噴量及霧化程度時，請調整噴調組、空調組及塗料旋鈕。

1. 噴形調整  
將噴調組以逆時針方向旋轉時，可獲得較大的噴形。
2. 塗料噴量調整  
將塗料旋鈕，依順時針方向轉動，可減少塗料噴量，而逆時針方向轉動時，則可增加塗料噴量。倘將塗料旋鈕，依順時針方向轉到底時，會僅有空氣冒出。
3. 空氣量調整  
將空調組，依順時針方向轉動，可調低空氣量，而逆時針方向轉動時，則可調高空氣量。



1. 未接受訓練之人員，不可操作噴槍。
2. 不可將噴槍朝向自己或他人。溶劑會對人的眼睛及皮膚造成傷害。
3. 若要修理噴槍時，請事先將空氣塗料關閉。
4. 當您在進行塗裝工作時，絕不可點火或抽煙。

維修

1. 每一次使用畢，請務必將噴槍加以清洗，但請勿將整支噴槍浸在稀釋劑或溶劑中。
2. 請勿使噴蓋組、噴嘴及頂針受到損傷。噴蓋組及噴嘴之洞孔，不可使用金屬器物清洗。
3. 可使用沾有稀釋劑之刷子清洗噴嘴組、噴蓋組及其他零件。
4. 請用稀釋劑噴洗噴槍通道內的塗料。
5. 重新組裝噴槍前將零件清洗乾淨。
6. 不可將頂針迫緊螺帽轉到底，否則頂針會不能移動。只需將它轉至不會滴漏塗料即可。
7. 若將塗料旋鈕，依逆時針方向轉得太松，會減弱頂針彈簧的彈性，如此會造成噴嘴前端滴漏塗料。
8. 組裝或拆卸噴嘴時必須拆卸塗料旋鈕或扳動扳機把頂針稍稍往後退出，確保頂針與噴嘴沒有接觸後，方可拆卸噴嘴；否則頂針和噴嘴會互相磨損，或者頂針擠破噴嘴導致密封不良。

問題排除

序號	零件名稱	數量
1	噴蓋組	1
2	噴嘴	1
4	頂針迫緊螺帽組	1
5	噴調組	1
6	頂針導座迫緊	1
7	頂針導座	1
8-1	塗料旋鈕導座組	1
8-2	塗料旋鈕	1
9-1	頂針彈簧	1
9-2	頂針彈簧墊片	1
10	頂針組	1
11	O型環	1

序號	零件名稱	數量
12-1	本體	1
12-2	接頭坎件	1
12-3	風塞螺絲	2
13	空氣接頭	1
14	空調組	1
15	扣環	1
16	止軸	1
17-1	扳機	1
17-2	扳機導座	1
18	空氣閥彈簧	1
19	空氣閥	1
20	空氣閥座組	1
21	塗料接頭	1

欠妥的噴形	原因	排除方法
塗料時有時無	a. 漆壺內塗料太少 b. 頂針迫緊乾澀或磨損 c. 噴嘴鬆馳或損壞	a. 添加塗料 b. 潤滑或更換頂針迫緊 c. 鎖緊或更換噴嘴
噴面呈新月形	a. 塗料積存在噴蓋上	a. 用適當物品清洗噴蓋上阻塞的空氣孔，但絕不可用金屬物品清洗
噴面一邊較重	a. 塗料積存在噴蓋上 b. 噴嘴骯髒或損壞	a. 清洗或更換噴蓋 b. 清洗或更換噴嘴
噴面分離	a. 塗料太稀或不足 b. 空氣壓力太高	a. 增加塗料粘度 b. 降低空氣壓力
噴面中間較重	a. 塗料太濃或太多 b. 空氣壓力太低	a. 降低塗料粘度 b. 增加空氣壓力
塗料自噴嘴流出	a. 噴嘴或頂針附著異物 b. 噴嘴或頂針磨損	a. 用溶劑清洗頂針或噴嘴 b. 更換零件
塗料自頂針迫緊螺帽流出	a. 頂針迫緊螺帽鬆馳 b. 頂針迫緊乾澀或損壞	a. 鎖緊頂針迫緊螺帽但要讓頂針能滑動 b. 潤滑或更換零件

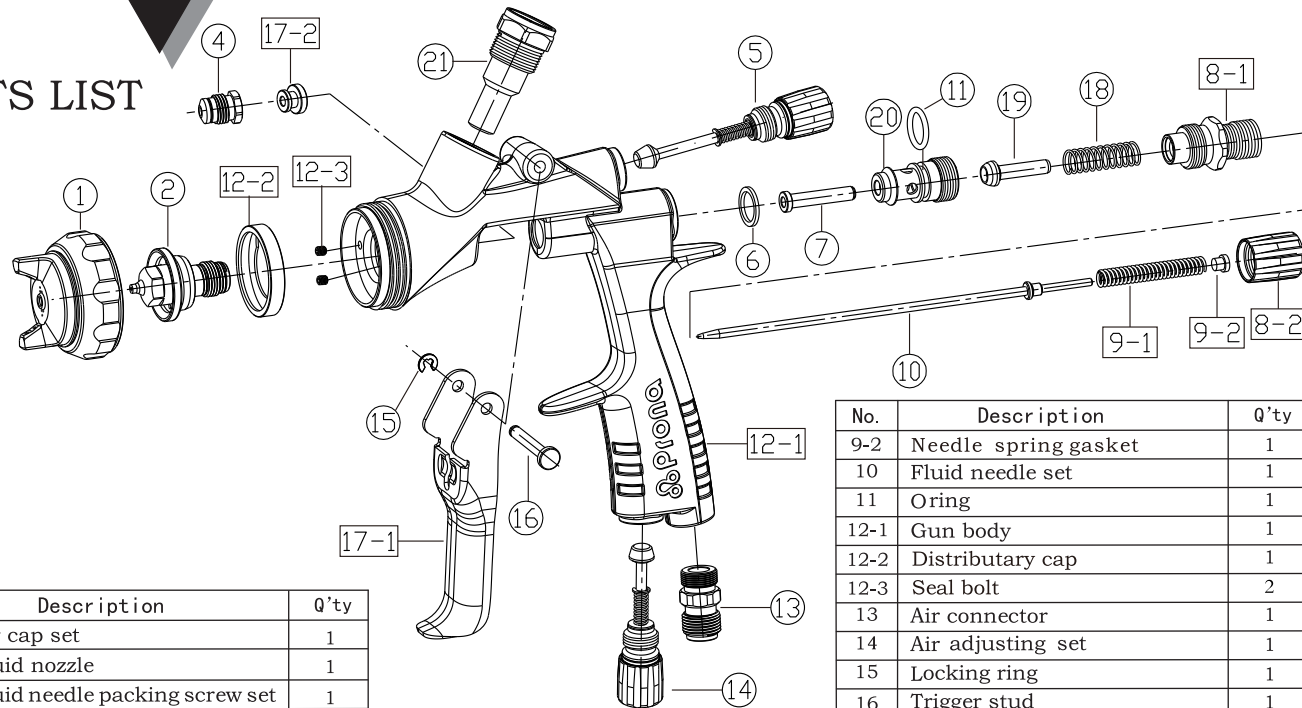
R-4630N

SPRAY GUN

OPERATING INSTRUCTIONS

ISO9001:2008 CE

PARTS LIST



No.	Description	Q'ty
1	Air cap set	1
2	Fluid nozzle	1
4	Fluid needle packing screw set	1
5	Pattern adjusting set	1
6	Fluid needle guide packing	1
7	Fluid needle guide	1
8-1	Fluid adjusting knob guide set	1
8-2	Fluid adjusting knob	1
9-1	Fluid needle spring	1

No.	Description	Q'ty
9-2	Needle spring gasket	1
10	Fluid needle set	1
11	O-ring	1
12-1	Gun body	1
12-2	Distributary cap	1
12-3	Seal bolt	2
13	Air connector	1
14	Air adjusting set	1
15	Locking ring	1
16	Trigger stud	1
17-1	Trigger	1
17-2	Trigger guide	1
18	Air valve spring	1
19	Air valve	1
20	Air valve seat set	1
21	Fluid connector	1

Prior to operation read the operating instructions carefully.

OPERATION

The SPRAY GUN has been designed as a HAND HELD, AIR OPERATED TOOL, and in the interests of safety must only be used for the purpose for which it has been designed. The tool should on no account be used for any other purpose whatever reason, this could result in danger to the operator and those within the immediate area.

The Spray Gun should be connected to a clean air supply using the recommended fitting and hose size as specified in the diagram. Whenever possible there should be an air filter & regulator in the system as diagram. The recommended pressure at the tool should measure 60 psi while running free. Check fitting and hoses regularly for signs of fraying, or accidental damage. Replace any worn items before continuing to operate the Spray Gun.

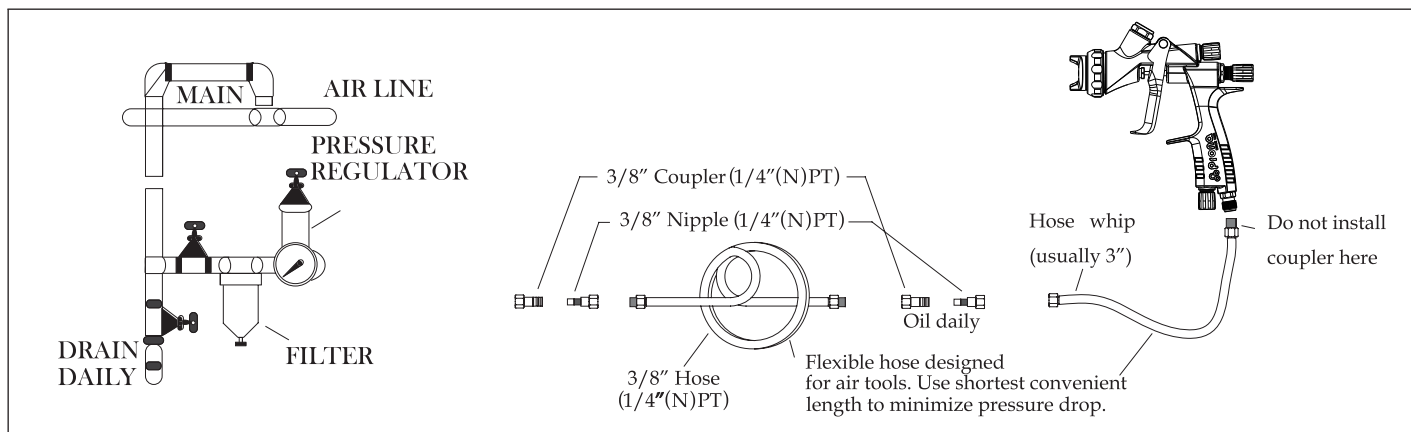
ADJUSTMENT

Always connect the cup and the air hose tightly to the Spray Gun before use. Ensure the material and air supply are disconnected before effecting any work on the Spray Gun.

To obtain the required spraying pattern, volume of fluid and degree of atomisation, use the Pattern Adjusting Set, Air Adjusting Set and the Fluid Adjusting Screw.

This spray gun has been developed to operate with low air pressure comparing with the conventional spray guns. The recommended atomising air pressure is 1.8-2.5 bar (26-36 psi). Excessive atomising air pressure can increase overspray, reduce transfer efficiency.

The recommended spray distance is 15-20 cm (5.9-7.9 in). Good finishing will not be obtained if the spray distance is too far. The recommended material viscosity is 15-23 seconds / Ford#4.



SERVICING

- a. Clean air cap, fluid nozzle and fluid needle with brush after each operation.
- b. Flush the gun material passage with appropriate solvent.
- c. Do not submerge complete spray gun in solvents.
- d. Fluid needle packing screw should not be tightened completely, or the fluid needle set will be sluggish.
- e. Turning the fluid adjusting knob too far to the left will weaken the fluid needle spring, this will make the fluid nozzle to leak.
- f. The material should be filtered through 60-90 mesh filter before use.
- g. Before install or dismantle nozzle, fluid knob must be dismantled and press the trigger to make sure that nozzle and needle disconnect, otherwise needle and nozzle wear and tear each other and cause bad seal.

PERSONAL PROTECTIVE EQUIPMENT

The use of breathing mask is recommended at all times when spraying. The noise level may exceed 85 dB (A) when the spray gun is being used, a sound absorber protection is also recommended. Always wear goggles and gloves when spraying or cleaning. No vibrations are transmitted to the operator when using the spray gun.

SAFETY

- Never allow untrained or unauthorized persons to operate this spray gun.
- Never exceed the recommended air pressure.
- Never use matches, smoke or operate a spray gun in the vicinity of a naked flame.
- Never aim spray gun at people.
- Never spray food or chemicals through spray gun.
- Do not carry or pull the gun by the hose, this could cause failure of the hose/gun connection result in danger to the operator or other workers.
- Use only original spare parts.
- Do not use the following solvents, I, I, I-Trichloroethane and Methylene Chloride. These solvents can chemically react with aluminium used in spray guns and fluid cups possibly causing an explosion. Do not use these solvents for equipment cleaning or flushing. Spray gun should never be stored in acid laden cleaners.
- If in doubt consult material supplier.

Model	Type of Feed	Fluid Nozzle Orifice Ømm(in)	Air Cap	Air Pressure	Air Consumption	Fluid Output	Spray Width ±20	Weight
				kg/cm <sup>2</sup> (Mpa)	l/min(cfm)	ml/min	mm(in)	
R-4630N-MP-G10	Gravity	1.0(0.039)	MP	2.0-2.5 (0.2-0.24)	280-300 (9.89-10.6)	300	200-320 (7.87-12.6)	440 (097)
R-4630N-MP-G11		340						
R-4630N-MP-G12		350						
R-4630N-MP-G13		360						
R-4630N-MP-G14		370						
R-4630N-MP-G15		400						
R-4630N-HVLP-G10		HVLP				1.0(0.039)		
R-4630N-HVLP-G11	240							
R-4630N-HVLP-G12	250							
R-4630N-HVLP-G13	260							
R-4630N-HVLP-G14	280							
R-4630N-HVLP-G15	300							
R-4630N-HVLP-G17	400							

R-4630N Spray Distance :200mm(7.87). Fluid Viscosity:20±1 seconds/RV-2. Fluid Intake:M16X1.5P. Air Intake:1/4PF/NPF.

TROUBLE-SHOOTING

TROUBLE	CAUSE	SOLUTION
Fluttering	a. Insufficient material in cup. b. Dry or worn fluid needle packing set or loose fluid needle packing screw. c. Loose or damaged fluid nozzle	a. Refill material. b. Lubricate or replace fluid needle packing set or tighten fluid needle packing screw. c. Tighten or replace fluid nozzle.
Crescent	a. Material store-up on air cap.	a. Clean air cap with proper objects. b. Clogged air holes must not be cleaned with metal objects.
Heavy top or bottom	a. Material store-up on air cap. b. Dirty or damaged fluid nozzle.	a. Clean or replace air cap. b. Clean or replace fluid nozzle.
Split	a. Material too thin or not enough. b. Atomizing air pressure too high.	a. Increase material viscosity. b. Reduce air pressure.
Heavy center	a. Material too thick or too much. b. Atomizing air pressure too low.	a. Reduce material viscosity. b. Increase air pressure.
Material drips from fluid nozzle	a. Obstructions between fluid nozzle and fluid needle. b. Worn fluid nozzle or needle.	a. Clean fluid needle and fluid nozzle in thinner. b. Replace parts.
Material leaks from needle packing screw	a. Loose fluid needle packing screw. b. Dry or worn fluid needle packing.	a. Tighten fluid needle packing screw, check fluid needle for free movement. b. Lubricate or replace needle packing.